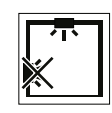
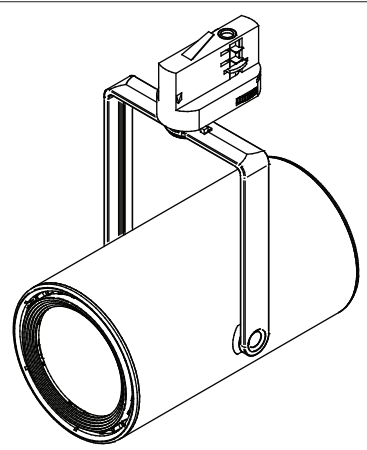
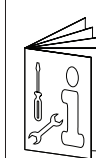


PHILIPS

GreenSpace Accent Projector

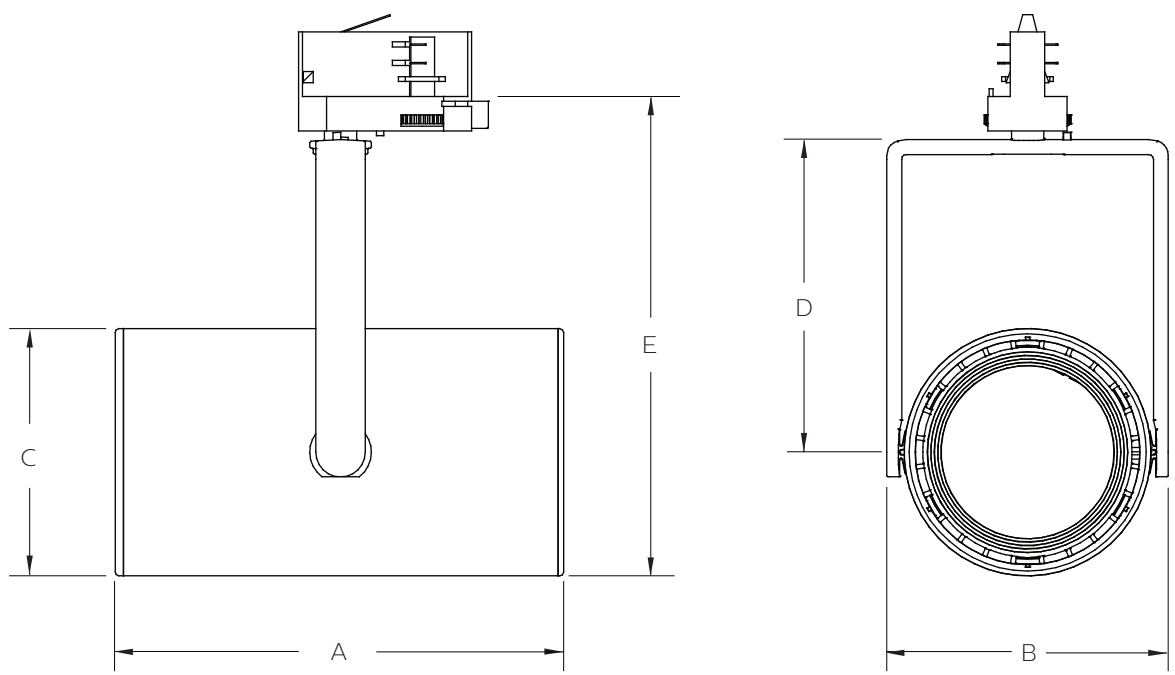
ST320T

ST320T

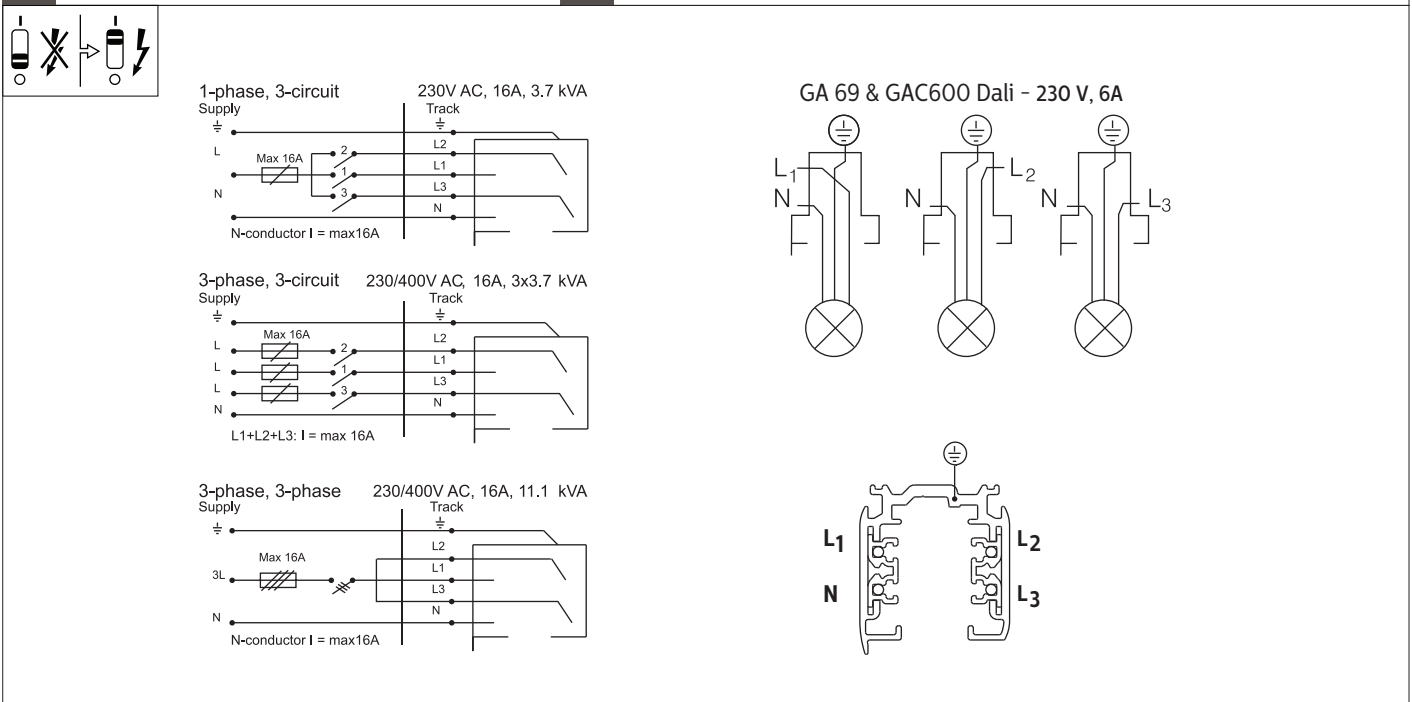
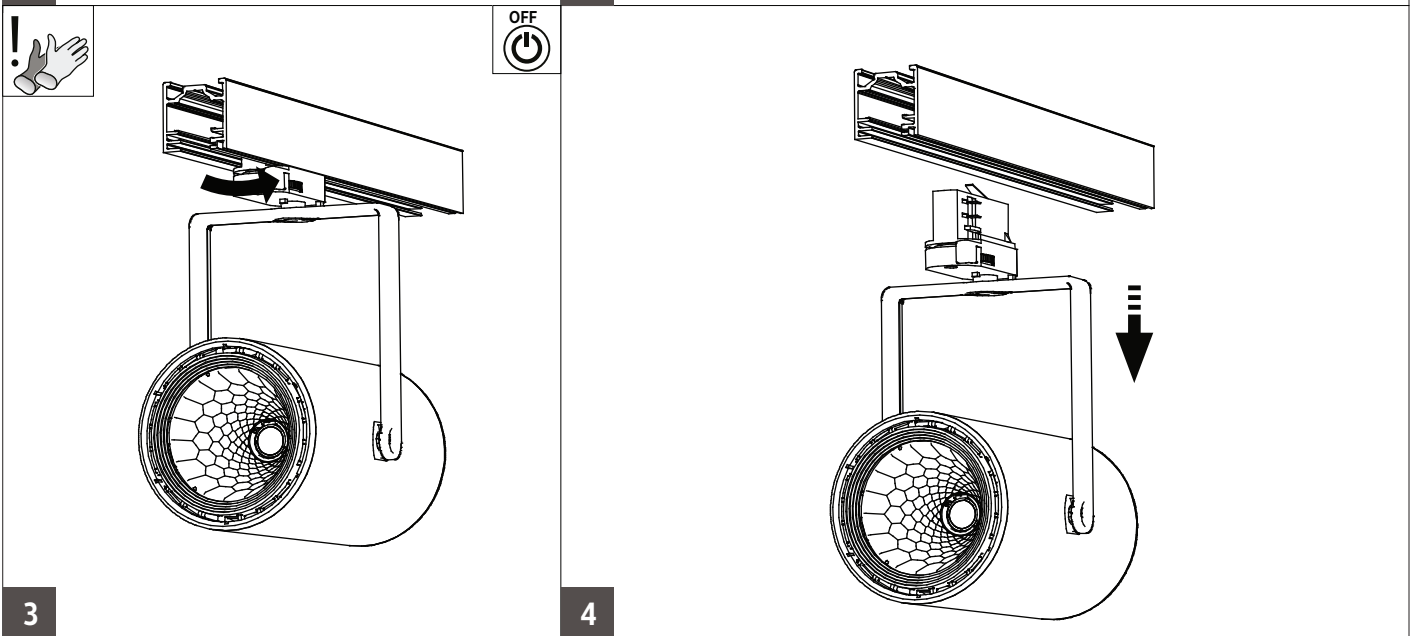
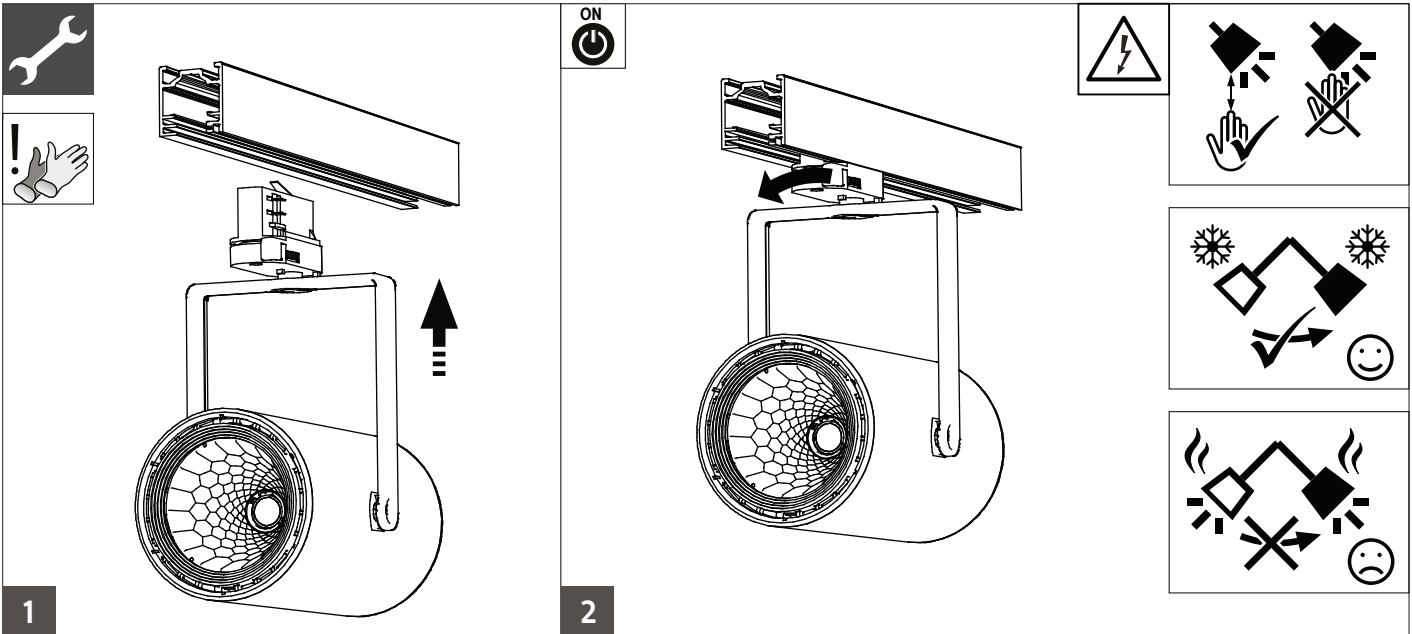


Housing	Lumen package	Color temperature [K]		P _{nom.}	P _{max.}	Beam angle				
						NB	MB	WB	VWB	LIN
ST320T	LED17S	827/830/840	1,0	14,4W	15,0W		x	x	x	x
		PW9	1,0	19,5W	21,4W		x	x	x	x
		CRW	1,0	21,5W	23,0W		x	x	x	x
		CH	1,0	26,4W	29,0W		x	x	x	x
	LED19S	FMT	1,0	29,7W	32,7W			x	x	x
		827/830/840	1,0	21,2W	24,3W	x				
	LED20S	PW9	1,0	21,3W	24,3W	x				
		CRW	1,0	20,4W	22,8W	x				
	LED27S	827/830/840	1,0	23,0W	25,0W		x	x	x	x
		PW9	1,0	26,8W	28,8W		x	x	x	x
		CRW	1,0	35,7W	39,1W		x	x	x	x
	LED39S	827/830/840	1,0	32,9W	35,5W		x	x	x	x
		PW9	1,0	38,4W	41,4W		x	x	x	x

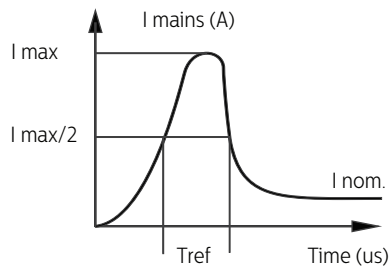
Main dimensions



Housing	Adapter type	Driver type	A(mm)	B(mm)	C(mm)	D(mm)	E(mm)
ST320T	GLOBAL 3C Track - GA69	PSU	182	114	100	126	193



Inrush current



*According to:
IEC60555 test conditions

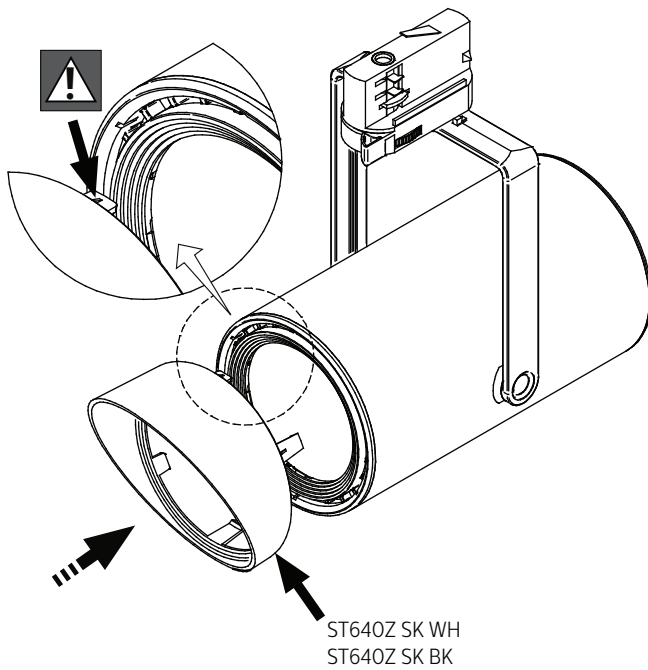
Xtitanium 20W/m 0.15-0.5A 48V 230V (PSU)		
Lum. Pack	CCT	Inom. (A)
LED17S	827/830/840	0.062
	PW9	0.084
I_{max} (A)		18.6
T_{ref} (us)		240
MCB	Max. Products (pcs)*	
B-10A	21	
B-16A	34	
C-10A	35	
C-16A	57	

Xtitanium 36W/m 0.3-1.05A 48V 230V (PSU)		
Lum. Pack	CCT	Inom. (A)
LED17S	CRW	0.093
	827/830/840	0.092
LED20S	PW9	0.092
	CRW	0.088
LED27S	827/830/840	0.100
I_{max} (A)		18.6
T_{ref} (us)		240
MCB	Max. Products (pcs)*	
B-10A	21	
B-16A	34	
C-10A	35	
C-16A	57	

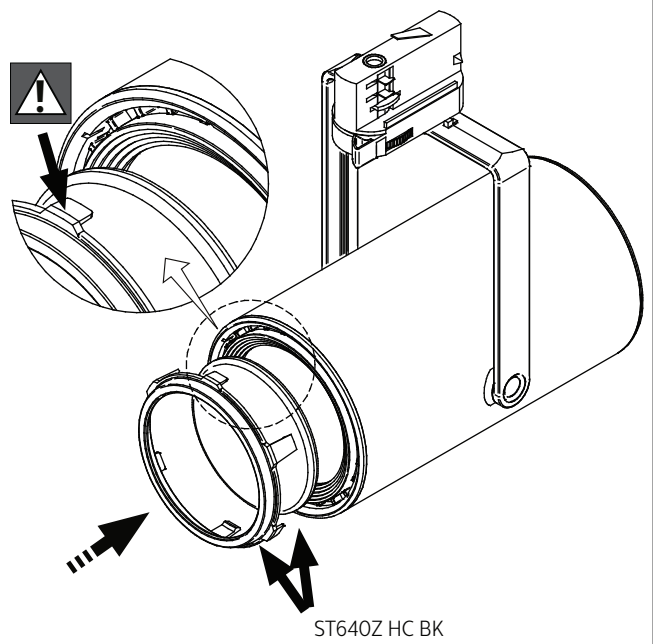
Xtitanium 50W/m 0.7-1.5A 48V 230V (PSU)		
Lum. Pack	CCT	Inom. (A)
LED17S	CH	0.114
LED19S	FMT	0.129
LED27S	PW9	0.116
	CRW	0.155
LED39S	827/830/840	0.143
	PW9	0.166
I_{max} (A)		22
T_{ref} (us)		260
MCB	Max. Products (pcs)*	
B-10A	15	
B-16A	24	
C-10A	24	
C-16A	40	



Accessory installation



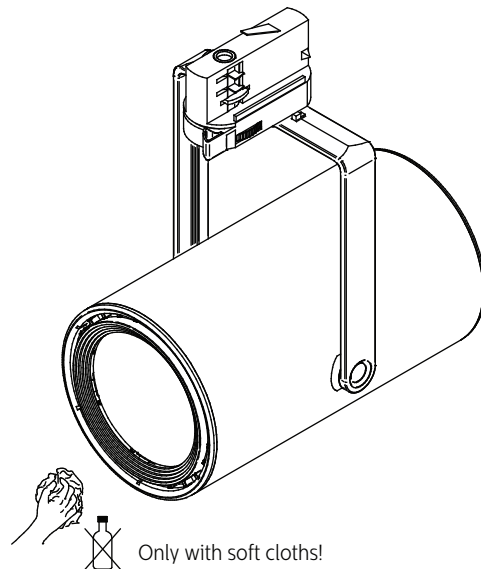
ST640Z SK WH
ST640Z SK BK



ST640Z HC BK



Optical cleaning



Only with soft cloths!



© 2016 Philips Lighting Holding B.V.
All rights reserved. Reproduction in whole or in part is prohibited without the prior written consent of the copyright owner.
The information presented in this document does not form part of any quotation or contract, is believed to be accurate and reliable and may be changed without notice. No liability will be accepted by the publisher for any consequence of its use.
Publication thereof does not convey nor imply any license under patent- or other industrial or intellectual property rights.

Philips Lighting B.V.
The Netherlands