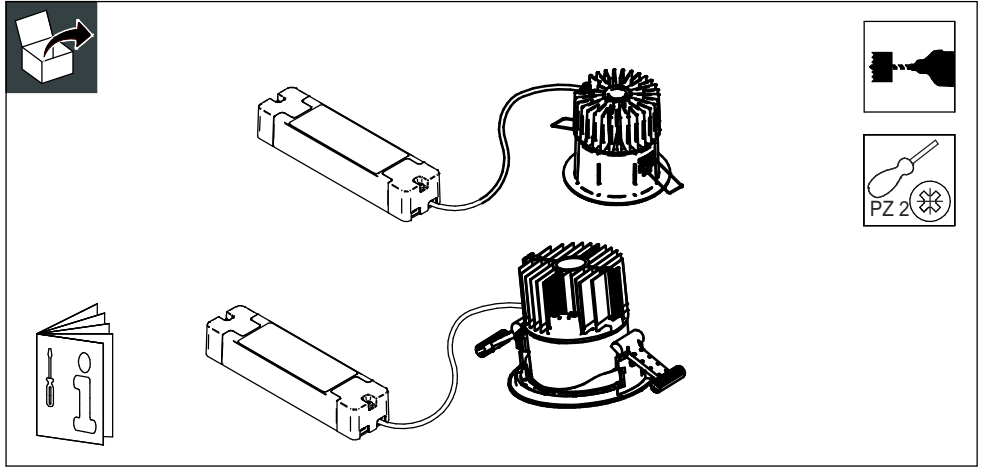


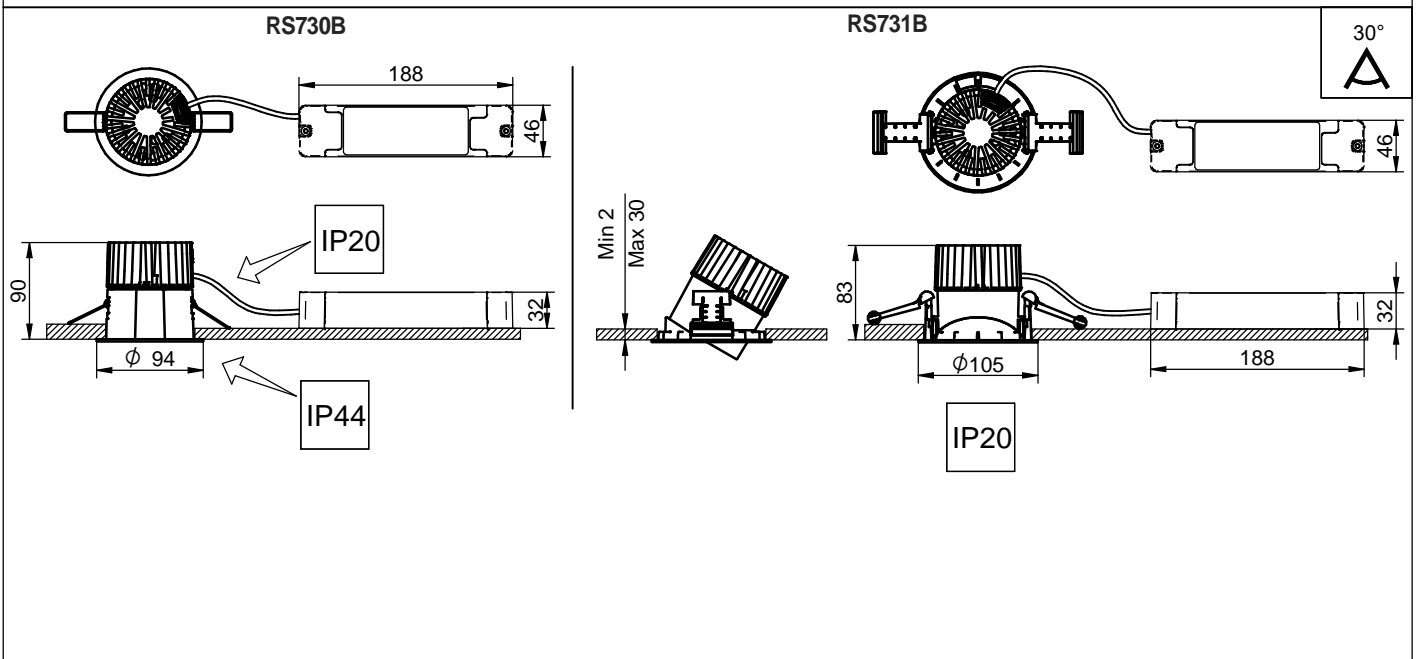
PHILIPS

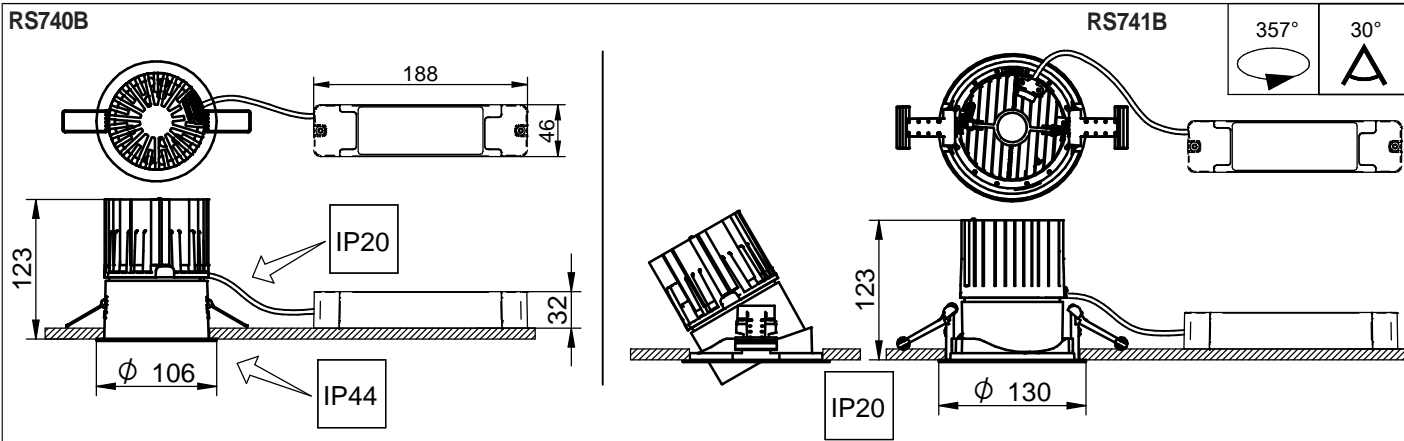
LuxSpace Accent Mini, Compact

RS730B, RS731B
RS740B, RS741B



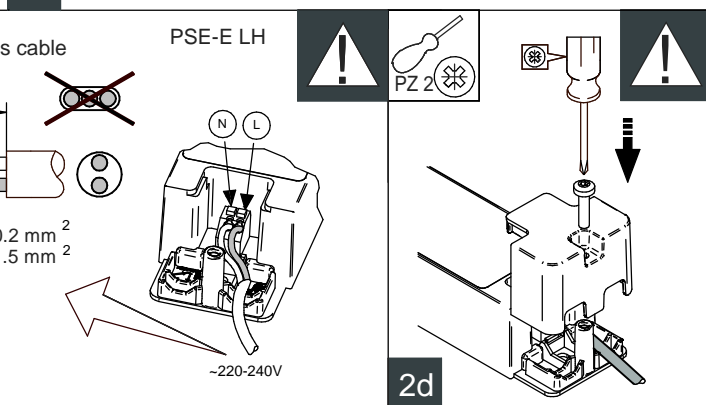
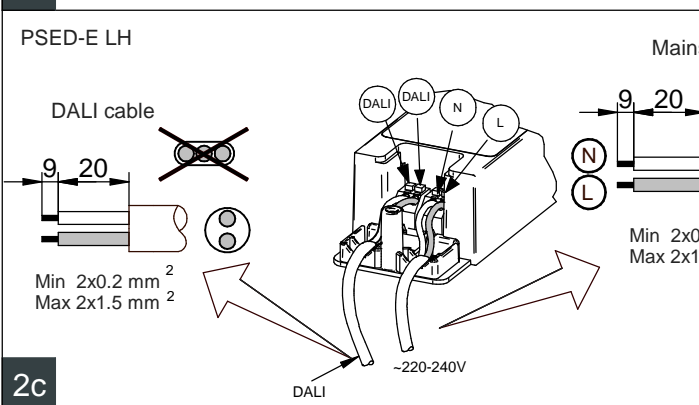
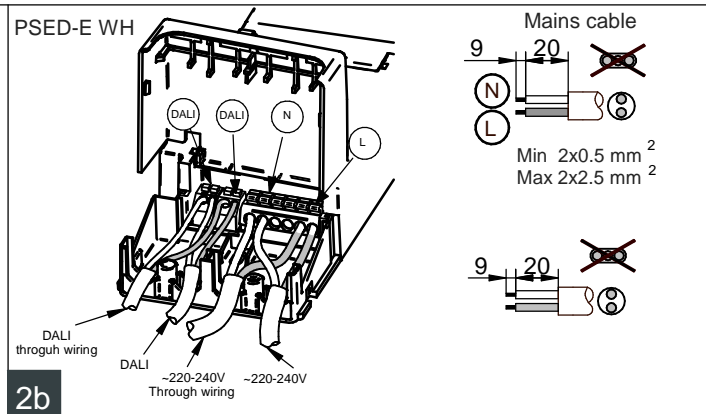
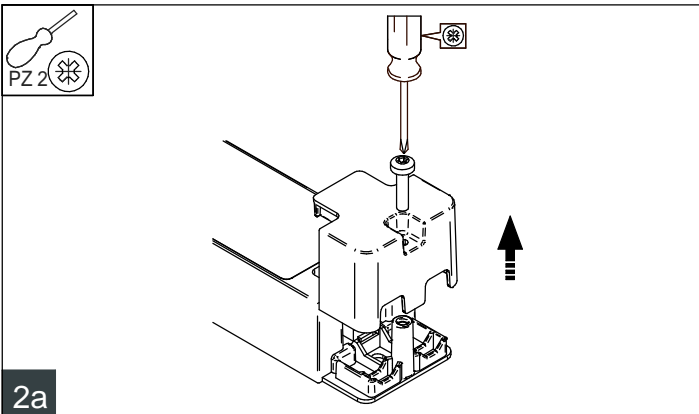
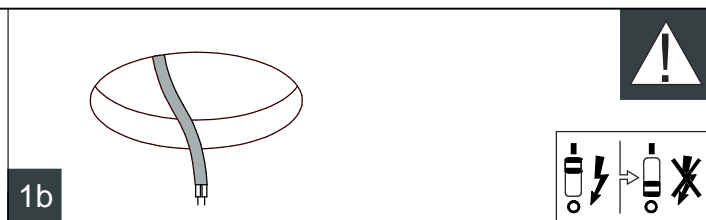
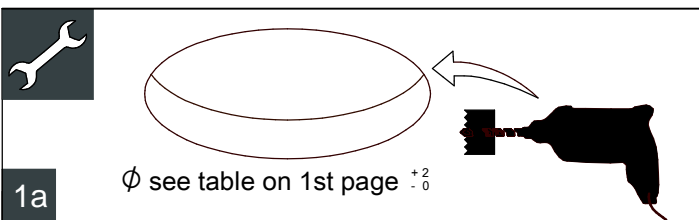
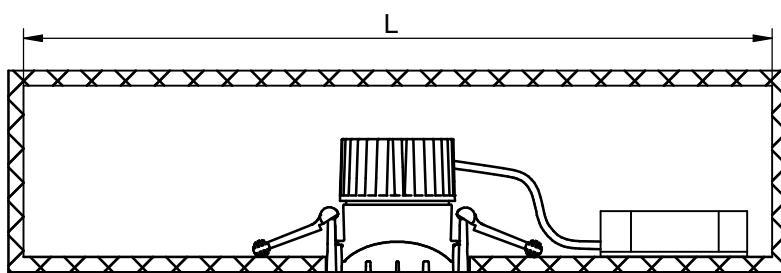
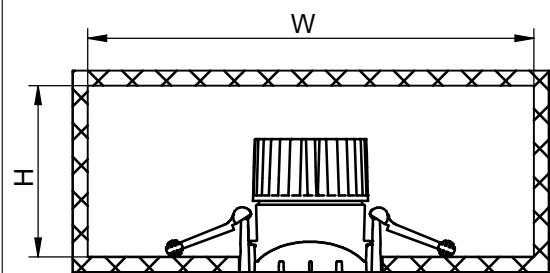
		P (W) / Color temperature				kg	φ mm	IP20 IP44	IP20	IK02	Beam angle			
		827	830	840	930						NB	MB	WB	VWB
RS730 B Mini, Fixed	LED11S	10	9,7	9,2	12	0,54	82	x		x	x			
	LED12S	10,2	9,9	9,3	12	0,54	82	x		x		x	x	x
RS731B Mini,	LED11S	10	9,7	9,2	12	0,56	100		x	x	x			
	LED12S	10,2	9,9	9,3	12	0,56	100		x	x		x	x	x
RS740 B Compact, Fixed	LED17S	13,6	12,8	12,4	16,2	0,76	93	x		x		x	x	x
	LED27S	23,5	22,5	21,5	28,5	0,76	93	x		x		x	x	x
	LED39S	32,5	31,5	29,5	39	0,76	93	x		x		x	x	x
	LED49S	46	43,5	39,5	55	0,74	93	x		x		x	x	x
	LED20S	22,5	21,5	19,8	26	0,76	93	x		x	x			
RS741B Compact, Adjustable	LED17S	13,6	12,8	12,4	16,2	0,76	120		x	x		x	x	x
	LED27S	23,5	22,5	21,5	28,5	0,76	120		x	x		x	x	x
	LED39S	32,5	31,5	29,5	39	0,76	120		x	x		x	x	x
	LED49S	46	43,5	39,5	55	0,74	120		x	x		x	x	x
	LED20S	22,5	21,5	19,8	26	0,76	120		x	x	x			

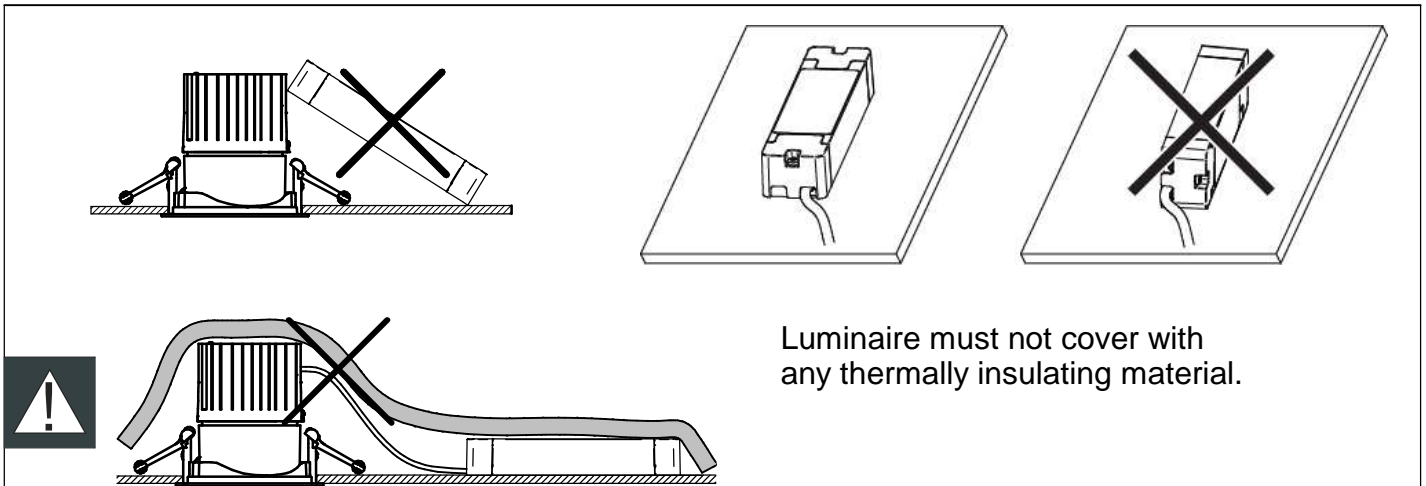
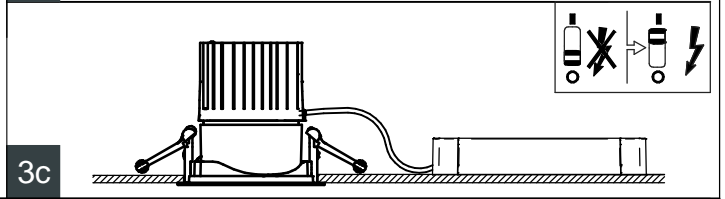
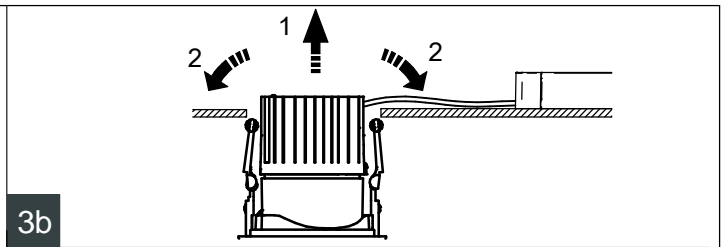
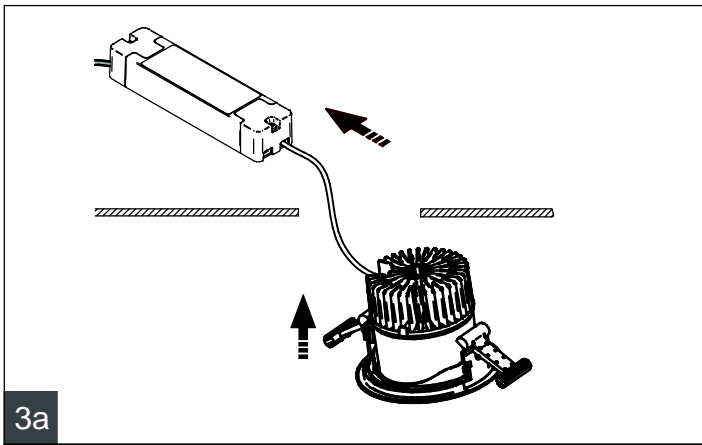




Minimal built-in dimensions

TYPE	L (mm)	W (mm)	H (mm)
RS730B, RS731B	700	350	150
RS740B, RS741B	900	400	265



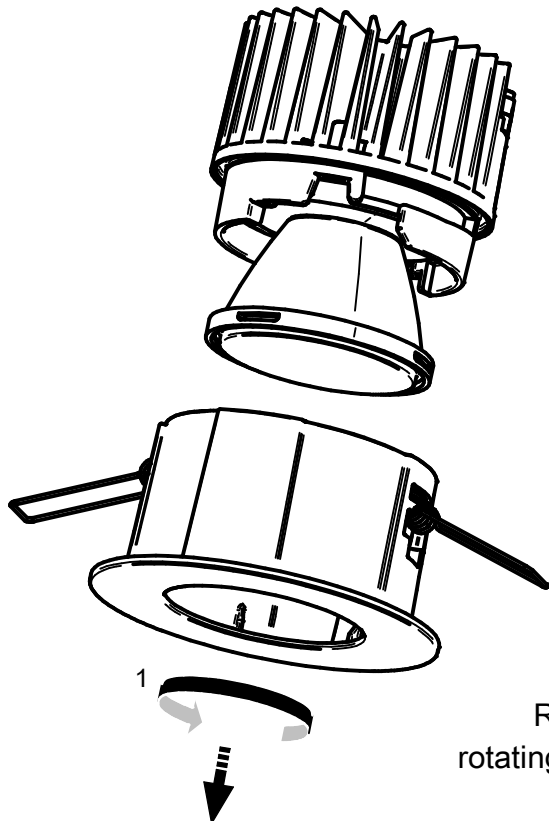


Luminaire must not cover with any thermally insulating material.

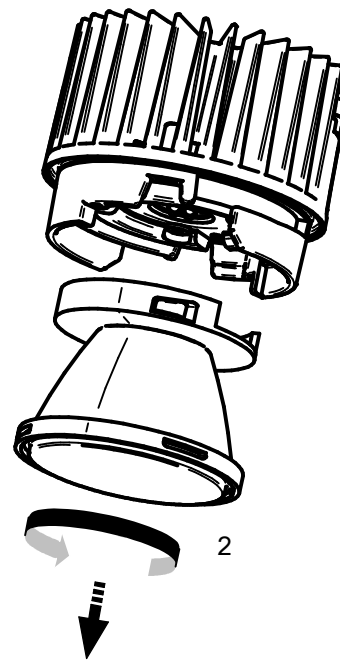
Xtitanium 36W LH 0.3-1A 48V I 230 V (PSE-E)			Xtitanium 36W WH 0.3-1A 54V TD/ I 230 V (PSED-E)			Xtitanium 50W LH 0.7-1.5A 48V 230 V (PSE-E)			Xtitanium 50W LH 0.7-1.5A 48V TD/ I 230 V (PSED-E)			LED driver 36W 0.3-1A 48V I 230 V (PSU-E)		
Lum. Pack	CCT	I _{nom.} (A)	Lum. Pack	CCT	I _{nom.} (A)	Lum. Pack	CCT	I _{nom.} (A)	Lum. Pack	CCT	I _{nom.} (A)	Lum. Pack	CCT	I _{nom.} (A)
LED27S	827	0,095	LED27S	827	0,095	LED49S	827	0,197	LED49S	827	0,197	LED17S	827	0,06
	830	0,09		830	0,09		830	0,186		830	0,186		830	0,057
	840	0,122		840	0,122		840	0,169		840	0,169		840	0,054
	930	0,121		930	0,121		930	0,237		930	0,237		930	0,072
LED20S	827	0,096	LED20S	827	0,096	LED49S	827	0,197	LED49S	827	0,197	LED20S	827	0,096
	830	0,092		830	0,092		830	0,186		830	0,186		830	0,092
	840	0,084		840	0,084		840	0,169		840	0,169		840	0,084
	930	0,12		930	0,12		930	0,237		930	0,237		930	0,12
LED39S	827	0,141	LED39S	827	0,141	LED49S	827	0,197	LED49S	827	0,197	LED27S	827	0,095
	830	0,134		830	0,134		830	0,186		830	0,186		830	0,09
	840	0,126		840	0,126		840	0,169		840	0,169		840	0,122
	930	0,174		930	0,174		930	0,237		930	0,237		930	0,121
I _{max.} (A)	14,5	I _{max.} (A)	5,3	I _{max.} (A)	23,5	I _{max.} (A)	5,3	I _{max.} (A)	5,3	I _{max.} (A)	5,3	I _{max.} (A)	5,3	
T _{ref.} (ms)	0,22	T _{ref.} (ms)	0,7	T _{ref.} (ms)	0,272	T _{ref.} (ms)	0,7	T _{ref.} (ms)	0,7	T _{ref.} (ms)	0,7	T _{ref.} (ms)	0,7	
MCB	Max. Products (pcs)*	MCB	Max. Products (pcs)*	MCB	Max. Products (pcs)*	MCB	Max. Products (pcs)*	MCB	Max. Products (pcs)*	MCB	Max. Products (pcs)*	MCB	Max. Products (pcs)*	
B- 10A	20	B- 10A	15	B- 10A	15	B- 10A	18	B- 10A	25	B- 10A	25	B- 10A	25	
B- 16A	32	B- 16A	24	B- 16A	24	B- 16A	30	B- 16A	40	B- 16A	40	B- 16A	40	
C- 10A	33	C- 10A	24	C- 10A	24	C- 10A	31	C- 10A	41	C- 10A	41	C- 10A	41	
C- 16A	54	C- 16A	40	C- 16A	40	C- 16A	51	C- 16A	67	C- 16A	67	C- 16A	67	

Xtitanium 20W 0.15-0.5A 48V Is 230 V (PSE-E)			Xtitanium 20W LH 0.15-0.5A 48V TD/ Is 230 V (PSED-E)		
Lum. Pack	CCT	I _{nom.} (A)	Lum. Pack	CCT	I _{nom.} (A)
LED11S	827	0,045	LED11S	827	0,045
	830	0,043		830	0,043
	840	0,04		840	0,04
	930	0,053		930	0,053
LED12S	827	0,045	LED12S	827	0,045
	830	0,044		830	0,044
	840	0,041		840	0,041
	930	0,055		930	0,055
LED17S	827	0,06	LED17S	827	0,06
	830	0,057		830	0,057
	840	0,054		840	0,054
	930	0,072		930	0,072
I _{max.} (A)	14,5	I _{max.} (A)	5,3	I _{max.} (A)	5,3
T _{ref.} (ms)	0,22	T _{ref.} (ms)	0,7	T _{ref.} (ms)	0,7
MCB	Max. Products (pcs)*	MCB	Max. Products (pcs)*	MCB	Max. Products (pcs)*
B- 10A	18	B- 10A	15	B- 10A	15
B- 16A	30	B- 16A	24	B- 16A	24
C- 10A	31	C- 10A	24	C- 10A	24
C- 16A	51	C- 16A	40	C- 16A	40

Reflector and fixed housing accessory changing instructions

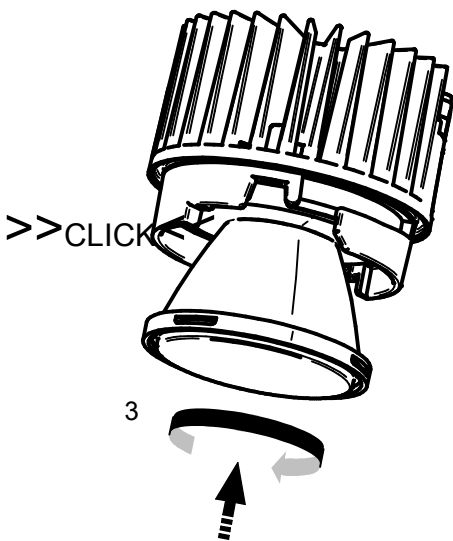


4a



4b

Release the parts by rotating them counter clockwise

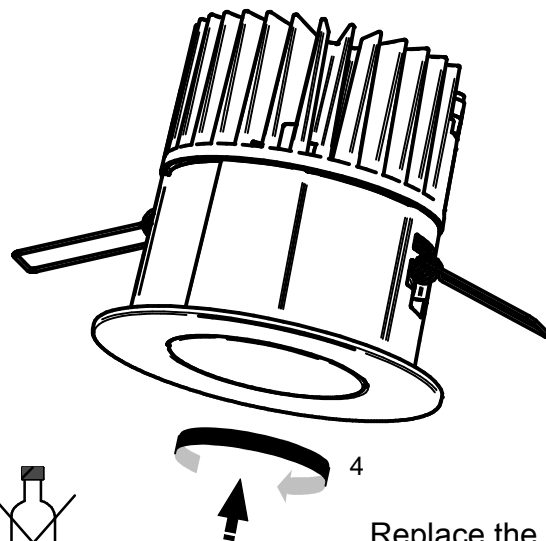


4a

Insert the new reflector and turn clockwise



Only with soft clothes!
Do not push hard!



4b

Replace the new housing and turn clockwise

© 2016 Philips Lighting Holding B.V.
All rights reserved. Reproduction in whole or in part is prohibited without the prior written consent of the copyright owner. The information presented in this document does not form part of any quotation or contract, is believed to be accurate and reliable and may be changed without notice. No liability will be accepted by the publisher for any consequence of its use. Publication thereof does not convey nor imply any license under patent- or other industrial or intellectual property rights.



Philips Lighting Holding B.V.
The Netherlands