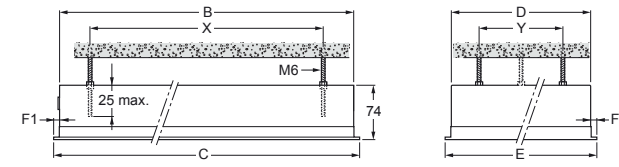


4422 003 93031
11/11
Printed in the Netherlands
Data subject to change

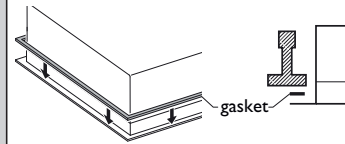
CR434B / 436B / 444B / 446B

Installation instructions

Instructions de montage Instrucciones de montaje Kokoonpano- ja kiinnitysohjeet Szerelési utasítások
 Montageanleitung Instruções de montagem Montaj yönergeleri Návod k montáži
 Montage instructie Monteringsinstruktioner Οδηγίες συναρμολόγησης ИНСТРУКЦИЯ ПО МОНТАЖУ
 Istruzioni di montaggio Monteringsvejledning Instrukcja montażu Návod k montáži

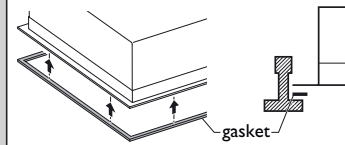


CR44... Lay-out



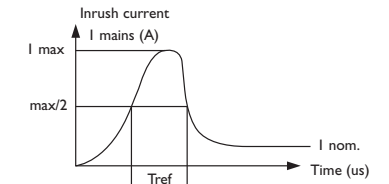
LAY OUT			B	C	D	E	F	F1	X	Y	weight
CR444B	W60L60	CR44...	572	612	572	612	20	20	450	450	12,5
CR446B	W62L62		572	637	572	637	32,5	32,5	450	450	12,5
CR444B	W30L120		1172	1212	272	312	20	20	800		13,8
CR446B	W31L125		1172	1262	272	324	45	26	800		13,8

CR43... Lay-in

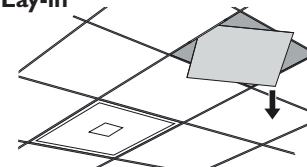


LAY IN			B	C	D	E	F	F1	X	Y	weight
CR434B	W60L60	CR43...	572	596	572	596	12	12			12,5
CR436B	W62L62		572	621	572	621	24,5	24,5			12,5
CR434B	W30L120		1172	1196	272	296	12	12			13,8
CR436B	W31L125		1172	1246	272	308	37	18			13,8

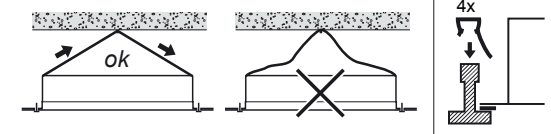
Xtitanium 75W/200V TD 230V	
Inrush Current Peak	48 (max) A
Mains current pulse time half peak	1mS
Earth leakage current	0.7 (max) mA
Max drivers on MCB (16A type-B)	20 max
Number of drivers connected to one 30mA residual current detector	30 max



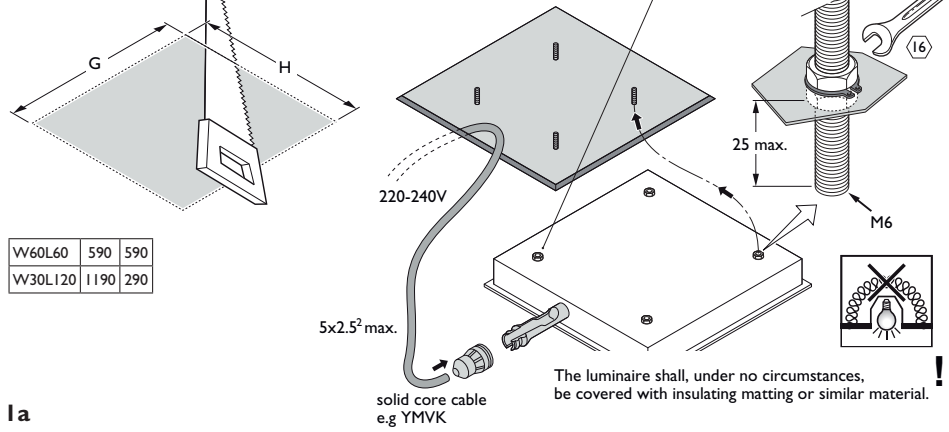
Lay-in



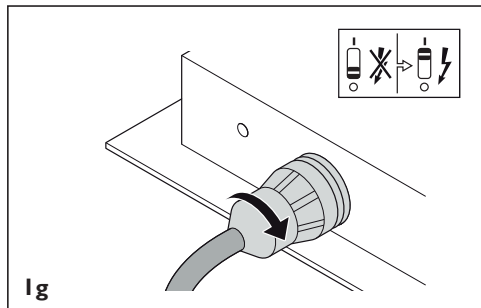
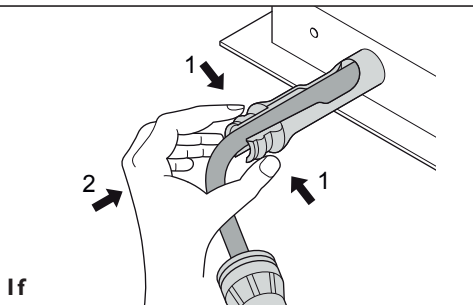
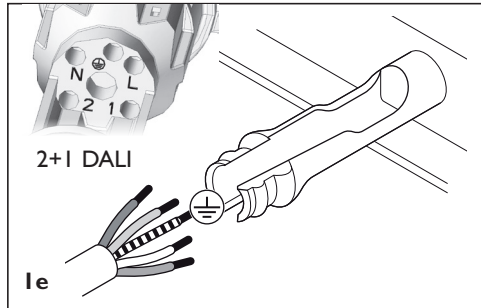
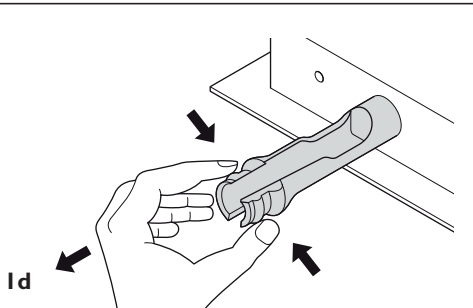
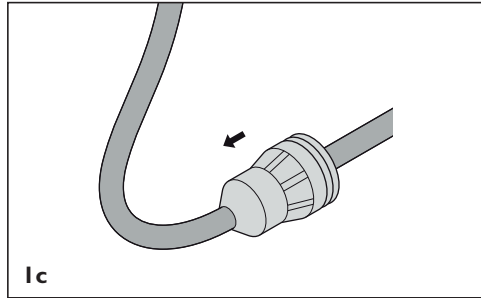
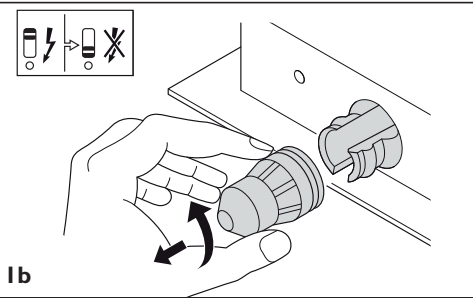
France - EMEA optional



Lay-out



Ia



LED Clean Room Lighting Technology

Maintenance instructions

Given the choices made in this unique lighting concept, there are a few instructions regarding the maintenance of this luminaire to assure the lighting qualities:

- During installation or maintaining the luminaire please use gloves to avoid spots on the cover.



NOTE:
Don't use plastic gloves.

- Dirty spots can be removed:
 - Only dust: with micro fiber cloth
 - Fingerprints, etc.: with a cleaner for synthetic material with antistatic effect.
- Remove the protection foil on the cover only short before usage of the lighting installation.
- Do not touch electronic components! ESD sensitive.
- Do not stare into LED beam.
- Luminaire should not be used for illumination during building activities due to dust contamination of the optics.

