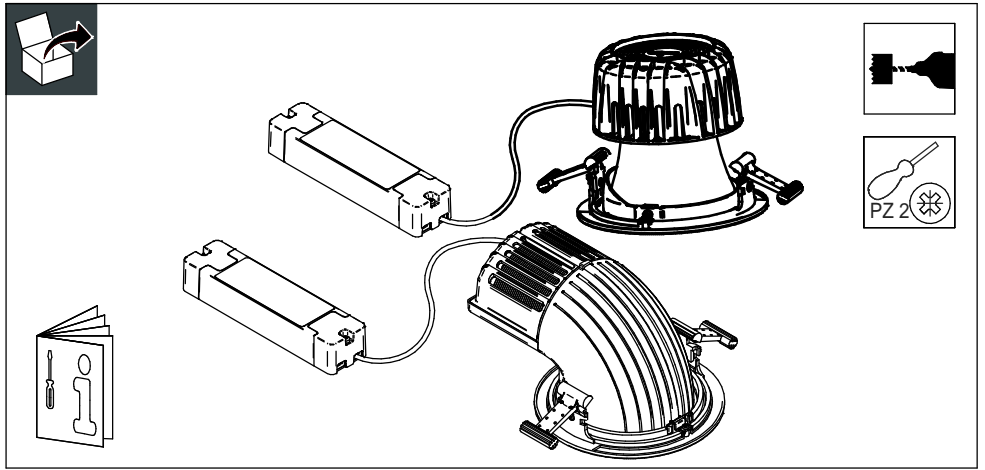


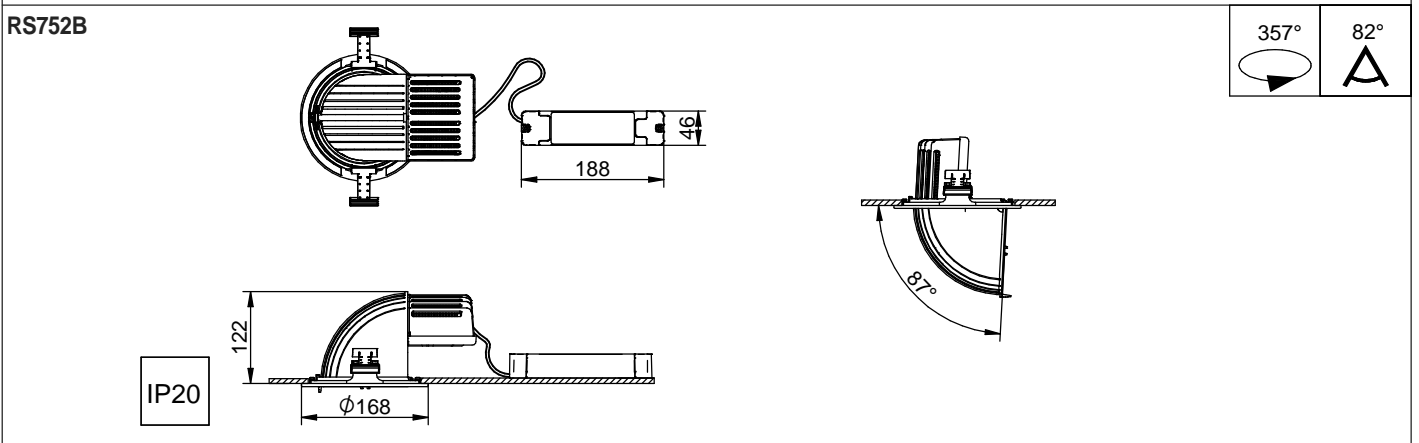
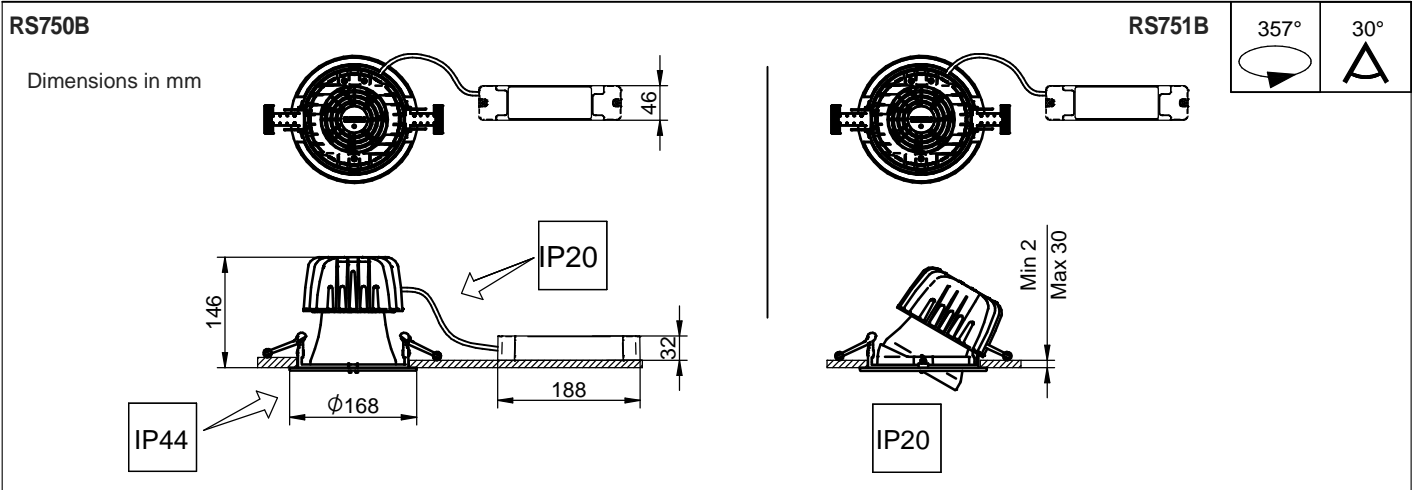
PHILIPS

LuxSpace Accent Performance

RS750B, RS751B
RS752B

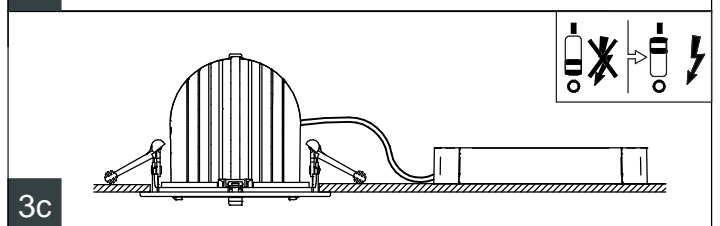
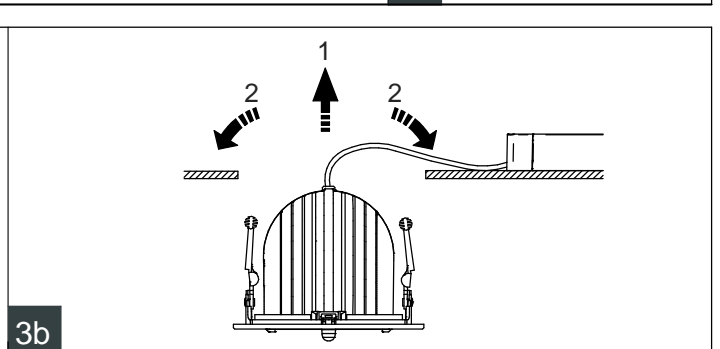
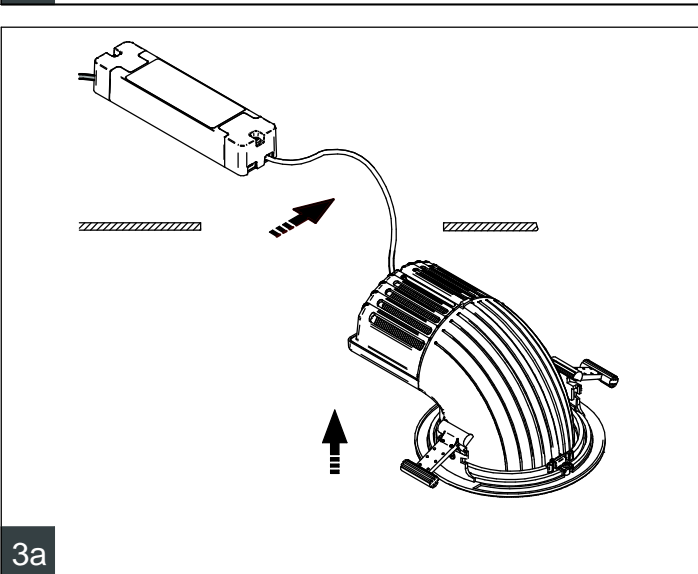
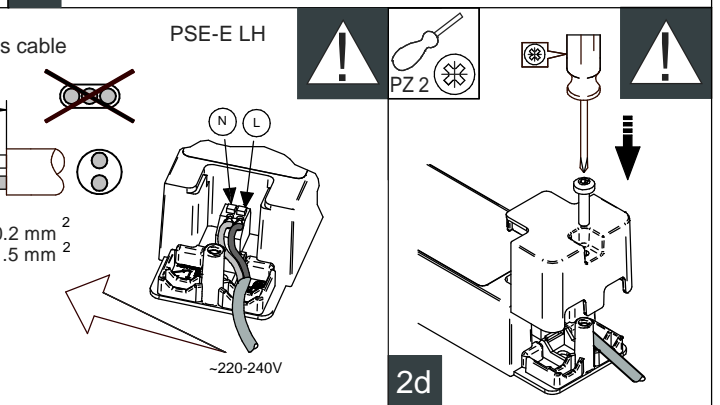
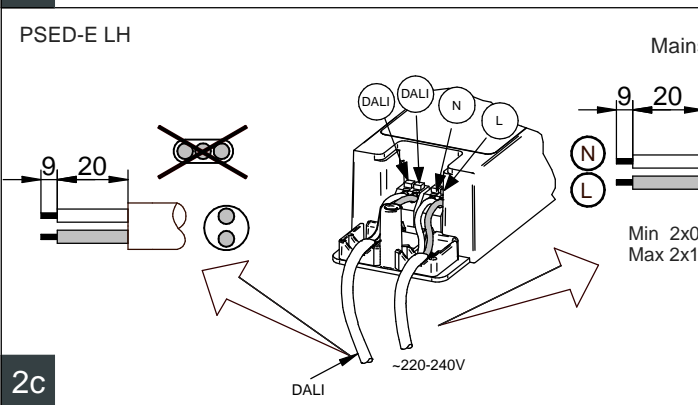
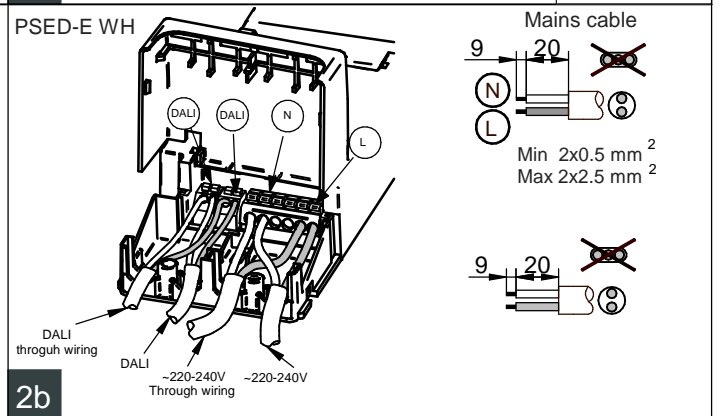
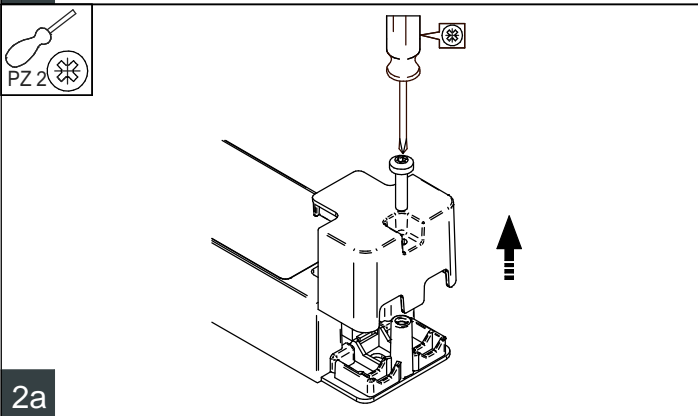
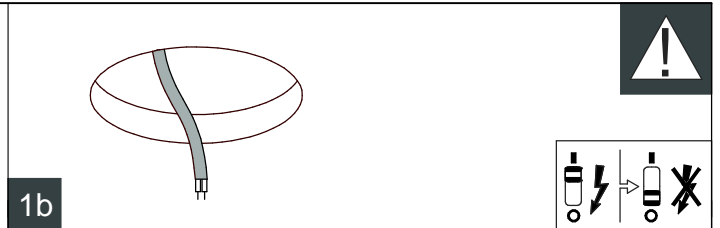
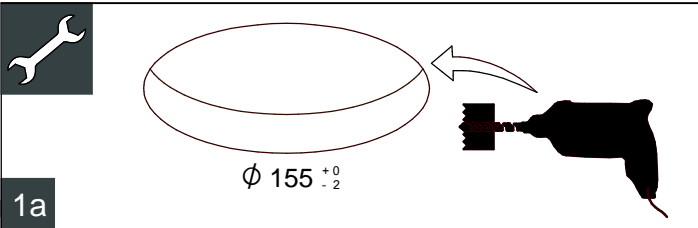
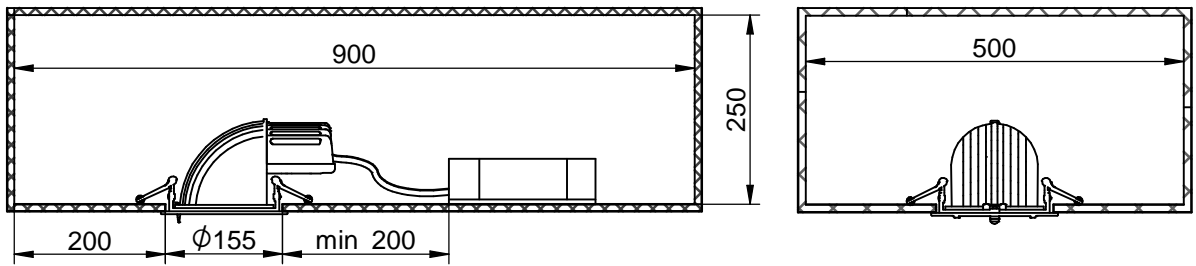


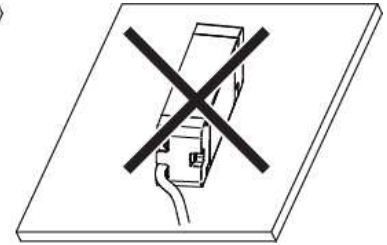
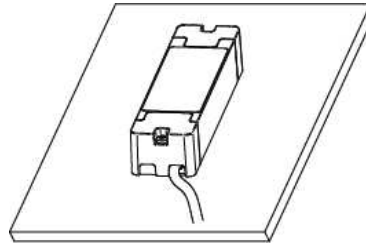
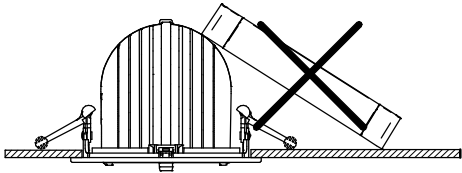
		P (W) / Color temperature				kg	φ mm	IP20 IP44	IP20	IK02	Beam angle			
		827	830	840	930						NB	MB	WB	VWB
RS750B Performance, Fixed	LED39S	31,5	30,5	28,5	37,5	1,4	155	x		x		x	x	x
	LED49S	44	42	39,5	53	1,4	155	x		x		x	x	x
	LED40S	52	49	46,5	52	1,4	155	x		x	x			
RS751B Performance, Adjustable	LED39S	31,5	30,5	28,5	37,5	1,4	155		x	x		x	x	x
	LED49S	44	42	39,5	53	1,4	155		x	x	x			
	LED40S	52	49	46,5	52	1,2	155		x	x		x	x	x
RS752B Performance, Elbow	LED27S	23,5	22,5	21,5	28,5	1,3	155		x	x		x	x	x
	LED39S	32,5	31	29,5	39	1,3	155		x	x		x	x	x
	LED49S	40,5	39,5	37,5	48,5	1,3	155		x	x		x	x	x
	LED40S	52	49	46,5	52	1,2	155		x	x	x			



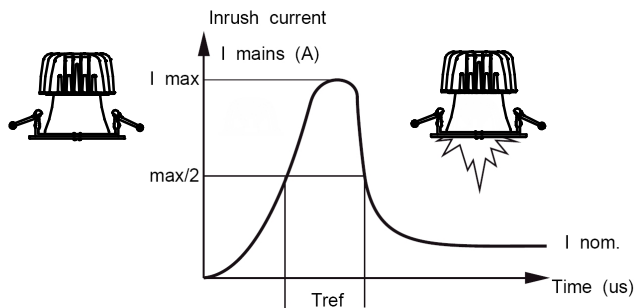
RS750B
RS751B
RS752B

Minimal built-in dimensions

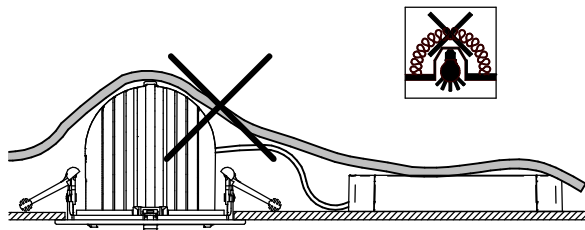




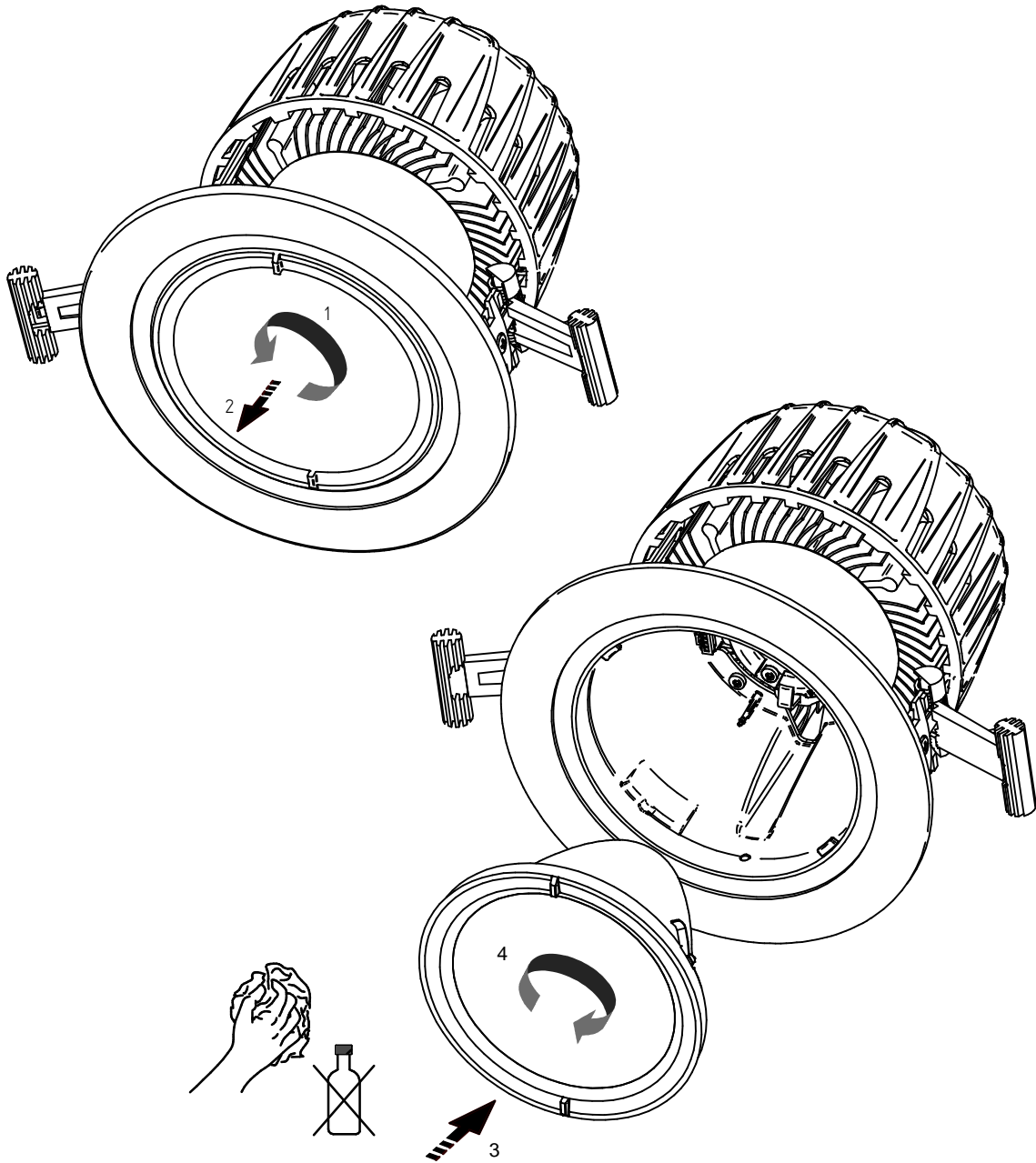
Xitanium 36W LH 0.3- 1A 48V I 230V (PSE- E)			Xitanium 36W WH 0.3- 1A 54V TD/I 230V (PSED- E)			Xitanium 50W LH 0.7- 1.5A 48V 230V (PSE- E)			Xitanium 50W LH 0.7- 1.5A 48V TD/I 230V (PSED- E)		
Lum. Pack	CCT	I _{nom.} (A)	Lum. Pack	CCT	I _{nom.} (A)	Lum. Pack	CCT	I _{nom.} (A)	Lum. Pack	CCT	I _{nom.} (A)
LED39 S (RS750B/RS751B)	827	0,135	LED39 S (RS750B/RS751B)	827	0,135	LED49 S (RS750B/RS751B)	827	0,19	LED49 S (RS750B/RS751B)	827	0,19
	830	0,13		830	0,13		830	0,176		830	0,176
	840	0,122		840	0,122		840	0,17		840	0,17
	930	0,168		930	0,168		930	0,23		930	0,23
LED27S (RS752B)	827	0,1	LED27S (RS752B)	827	0,1	LED40 S (RS750B/RS751B)	827	0,228	LED40 S (RS750B/RS751B)	827	0,228
	830	0,094		830	0,094		830	0,212		830	0,212
	840	0,09		840	0,09		840	0,2		840	0,2
	930	0,121		930	0,121		930	0,228		930	0,228
LED39 S (RS752B)	827	0,14	LED39 S (RS752B)	827	0,14	LED49 S (RS752B)	827	0,173	LED49 S (RS752B)	827	0,173
	830	0,133		830	0,133		830	0,167		830	0,167
	840	0,124		840	0,124		840	0,158		840	0,158
	930	0,175		930	0,175		930	0,216		930	0,216
I_{max.} (A)	14,5		I_{max.} (A)	5,3		I_{max.} (A)	23,5		I_{max.} (A)	5,3	
Tref. (ms)	0,22		Tref. (ms)	0,7		Tref. (ms)	0,272		Tref. (ms)	0,7	
MCB	Max. Products (pcs)*		MCB	Max. Products (pcs)*		MCB	Max. Products (pcs)*		MCB	Max. Products (pcs)*	
B- 10A	20		B- 10A	15		B- 10A	15		B- 10A	18	
B- 16A	32		B- 16A	24		B- 16A	24		B- 16A	30	
C- 10A	33		C- 10A	24		C- 10A	24		C- 10A	31	
C- 16A	54		C- 16A	40		C- 16A	40		C- 16A	51	



Luminaire not suitable for being covered with thermally insulating material.



Reflector accessory changing instructions



Only with soft clothes!
Do not push hard!



© 2016 Philips Lighting Holding B.V.
All rights reserved. Reproduction in whole or in part is prohibited without the prior written consent of the copyright owner. The information presented in this document does not form part of any quotation or contract, is believed to be accurate and reliable and may be changed without notice. No liability will be accepted by the publisher for any consequence of its use. Publication thereof does not convey nor imply any license under patent- or other industrial or intellectual property rights.

Philips Lighting Holding B.V.
The Netherlands